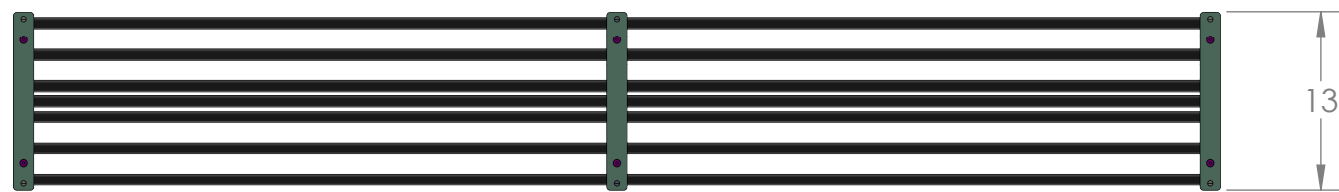
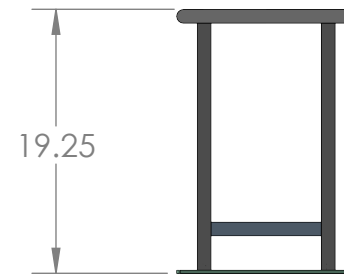
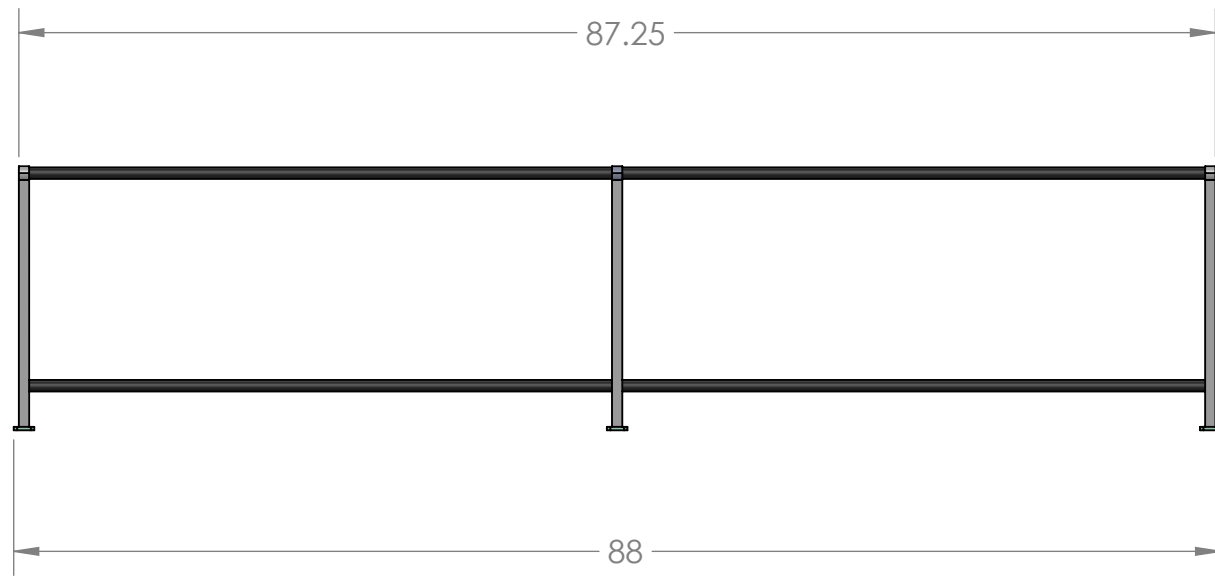
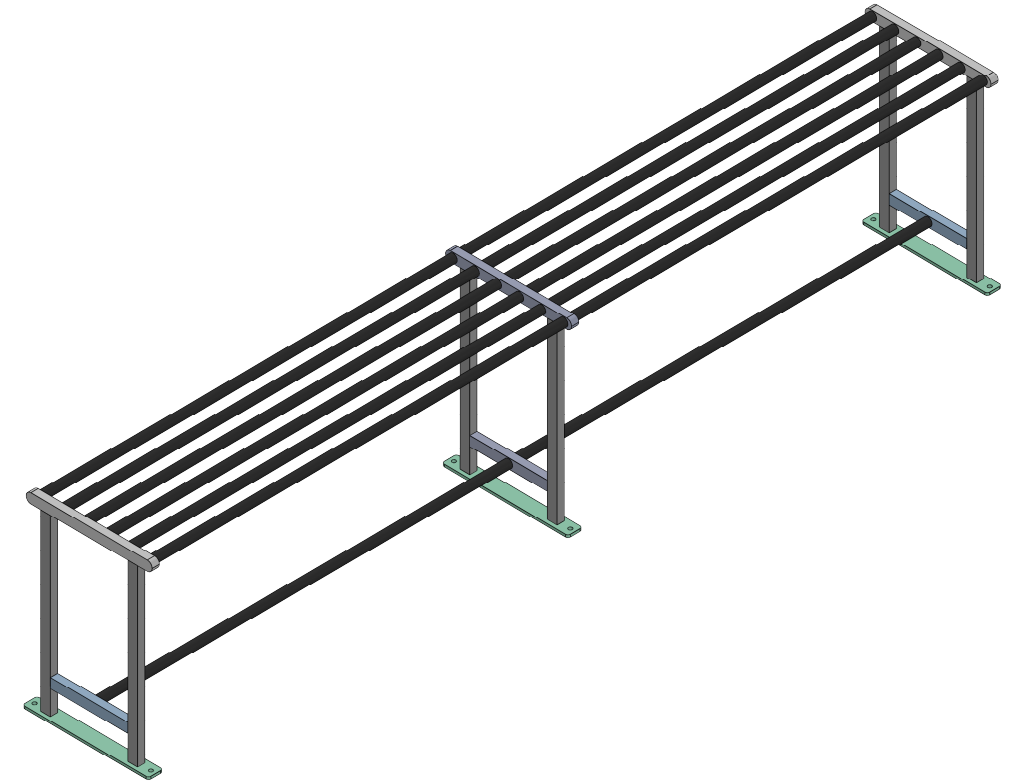


SPECIFICATIONS

- WEIGHT: 85 LBS
- AVAILABLE COLORS: YELLOW, LIGHT GRAY, GLOSS WHITE, GLOSS BLACK
- HEAVY DUTY WELDED STEEL CONSTRUCTION
- POWDER COAT PAINT WITH PROTECTIVE CLEAR COAT
- STAINLESS STEEL BASE
- MADE IN THE USA



UNLESS OTHERWISE SPECIFIED:		NAME	DATE	Barnes Technical Products, L.L.C. 15 High Street West Haven, Connecticut 06516	
DIMENSIONS ARE IN INCHES THIRD ANGLE PROJECTION TOLERANCES: 0.X ±0.065 0.XX ±0.015 0.XXX ±0.005 0.XXXX ±0.0005		DRAWN	R. FOLCHI	7/5/22	TITLE: MCGREW BACKLESS BENCH LONG
INTERPRET GEOMETRIC TOLERANCING PER: Y14.5-2009		CHECKED			
MATERIAL		ENG APPR.			
FINISH		MFG APPR.			
POWDER COAT		Q.A.			SIZE
QTY: -		COMMENTS:			DWG. NO.
					BTP-R-101-PS
					REV
					--
					SCALE: 1:14
					WEIGHT:
					SHEET 1 OF 1